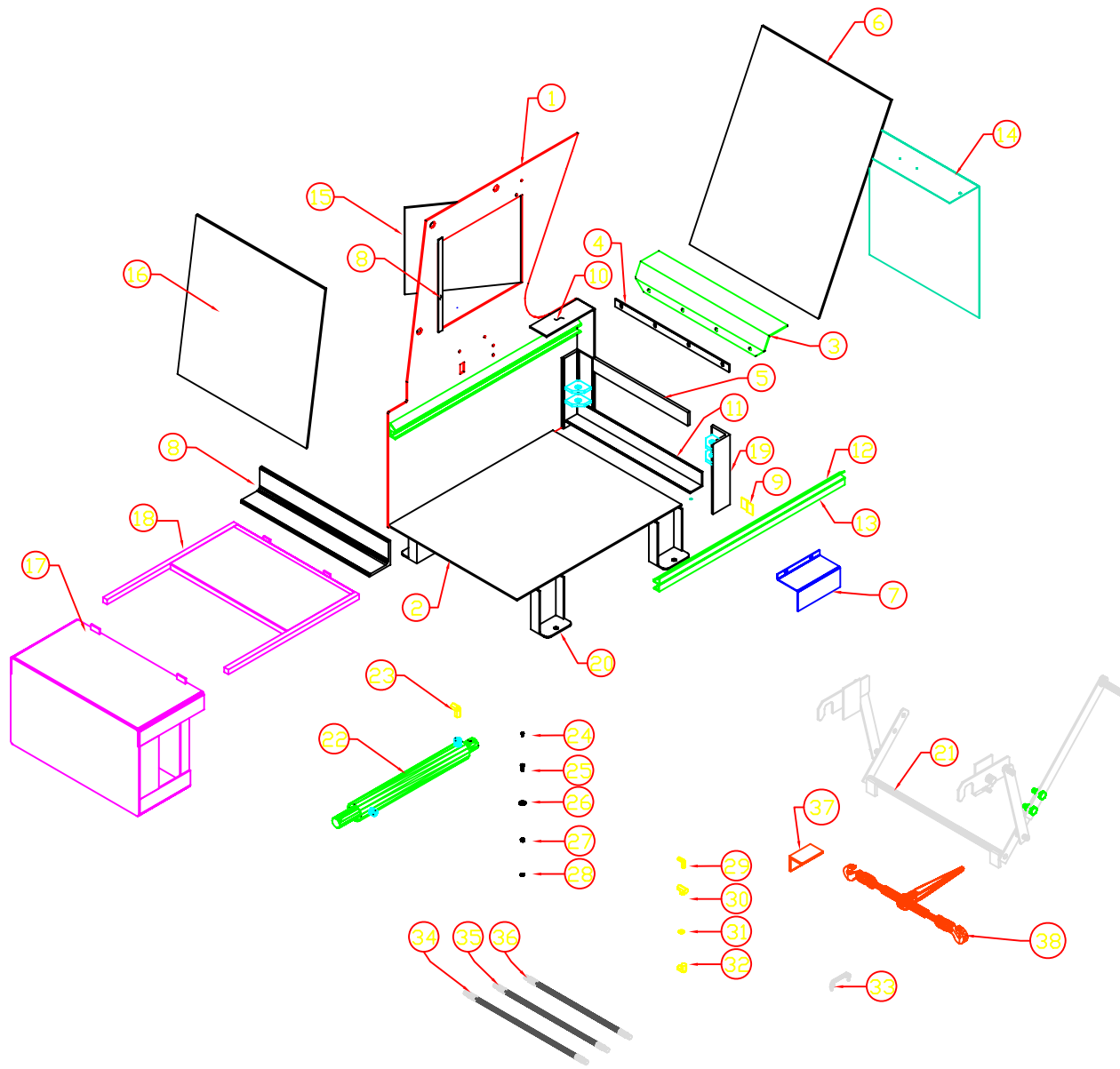



This Drawing is the property of WILKINSON HI-RISE. It is loaned on the condition that it is not to be reproduced, copied or otherwise disposed of, and is not to be used in part to furnish information for the making of drawings, prints or parts thereof. The acceptance of the foregoing conditions and the recognition of the exclusive ownership in and to the drawings as the property of WILKINSON HI-RISE.

DESCRIPTION	REV.	DATE	INIT.
FIRST DRAWING	A	29/01/10	FLA

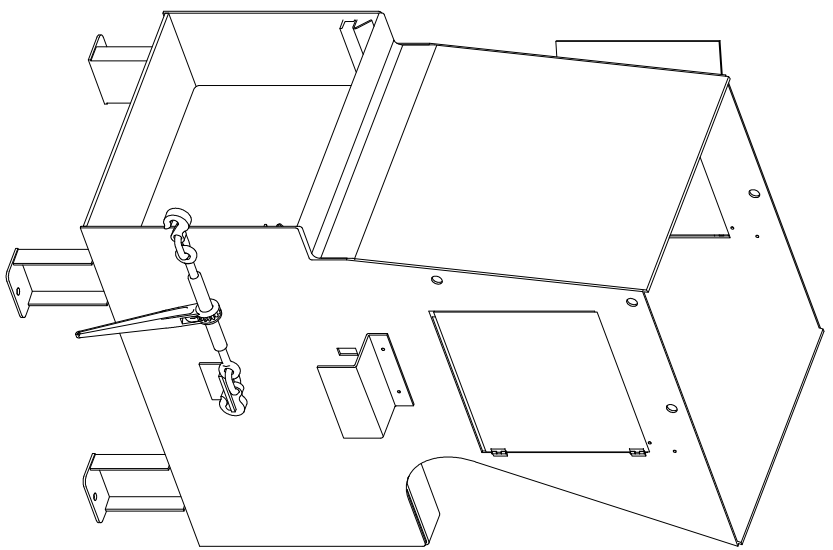


BOM OF MATERIAL					
ITEM NO.	QTY.	DWG NO.	SHEET NO.	DESCRIPTION	COMMENTS
1	2	COM-400-601	2	SIDE PANEL	
2	1	COM-400-602	3	BOTTOM PLATE	
3	1	COM-400-603	4	CENTRAL MEMBER	
4	1	COM-400-604	5	WIPER BAR	
5	1	COM-400-605	6	CLEVICE TIE BAR	
6	1	COM-400-606	7	FRONT IMPACT PLATE	
7	2	COM-400-607	8	PHOTO EYE COVER	
8	1	COM-400-608	9	BREAKER BAR	
9	2	COM-400-609	10	CLIP	
10	2	COM-400-610	11	"L" PLATE	
11	1	COM-400-611	12	BOTTOM ANGLE BRACE	
12	2	COM-400-612	13	RAM GUIDE TOP RAIL	
13	2	COM-400-613	14	RAM ANGLE GUIDE BOTTOM	
14	1	COM-400-614	15	BACK ACCESS PANEL	
15	1	COM-400-615		DOOR SIDE	
16	1	COM-400-616		BACK IMPACT PLATE	
17	1	COM-400-617		RAM ASSY	
18	1	COM-400-618		SLIDE BLADE ASSY	
19	1	COM-400-619		CLEVICE ASSY	
20	4	COM-400-620		FOOT PLATE	
21	1	COM-400-621		LATCH LINK	*SEE NOTE 1*
22	2	PURCHASED ITEM		CYLINDER	PN: 917511
23	4	PURCHASED ITEM		6-8 CTX-S MALE JIC X MALE PIPE 90 DEGREE ADAPTOR	PN: 917653
24	2	PURCHASED ITEM		SCREW 1/4 X 1/2	PN: 914127
25	10	PURCHASED ITEM		SCREW 3/8 X 1	PN: 917636
26	10	PURCHASED ITEM		PLAIN WASHER	PN: 917593
27	10	PURCHASED ITEM		NUT 3/8	PN: 914530
28	6	PURCHASED ITEM		LOCK WASHER 5/16	PN: 914304
29	4	PURCHASED ITEM		6 CTX-S MALE JIC X MALE PIPE 90 DEGREE ADAPTOR	PN: 917651 VN: CTX-S
30	2	PURCHASED ITEM		T UNION, 1/4	PN: 917619
31	2	PURCHASED ITEM		WASHER P 1/2 X 1	PN: 914306
32	2	PURCHASED ITEM		8-4 CTX-S MALE JIC X MALE PIPE 90 DEGREE ADAPTOR	PN: 917641 VN: 8/4 CTX-S
33	1	PURCHASED ITEM		PULL HANDLE	PN: 915017
34	2	PURCHASED ITEM		HOSE 3/8" X 24"	PN: 91P116
35	1	PURCHASED ITEM		HOSE 3/8" X 22"	PN: 91P115
36	1	PURCHASED ITEM		HOSE 3/8" X 20"	PN: 91P114
37	2	COM-350-815		RATCHET BRACKET ANGLE	*SEE NOTE 1*
38	2	PURCHASED ITEM		RATCHET BRACKET	PN: 917502 *SEE NOTE 1*

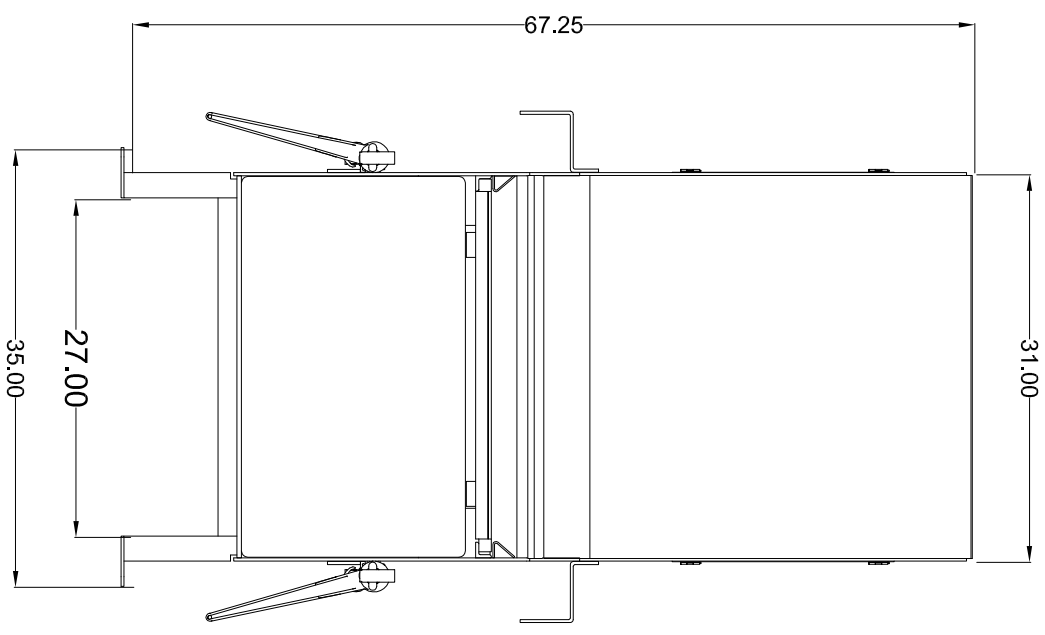
MATERIAL: SEE DWG.	UNLESS OTHERWISE SPECIFIED, DIMENSIONS ARE IN INCHES		 WILKINSON-HI-RISE 2321 Evans Street Hollywood, FL 33020 Tel: 800 231 3888 Fax: 954 342 43 38
	FRACTIONS: ±1/32"	DECIMALS: X ±.060 XX ±.040 .XXX ±.020	
FINISH: SEE DWG.	APPROVALS	DATE	TITLE: 400-C5 COMPACTOR
	DRAWN: FLA	29/01/10	
	CHECKED:		
APPROVED:	DWG.	SCALE NTS	SHEET 1 OF 1

This Drawing is the property of WILKINSON-H-RISE. It is loaned on the condition that it is not to be reproduced, copied or otherwise disposed of and is not to be used in part to furnish information for the making of drawings, prints or parts there of, the acceptance of the foregoing conditions and the recognition of the exclusive ownership in and to the drawings as the property of WILKINSON-H-RISE.

DESCRIPTION	REV	DATE	INIT.
FIRST DRAWING	A	01/21/10	FLA

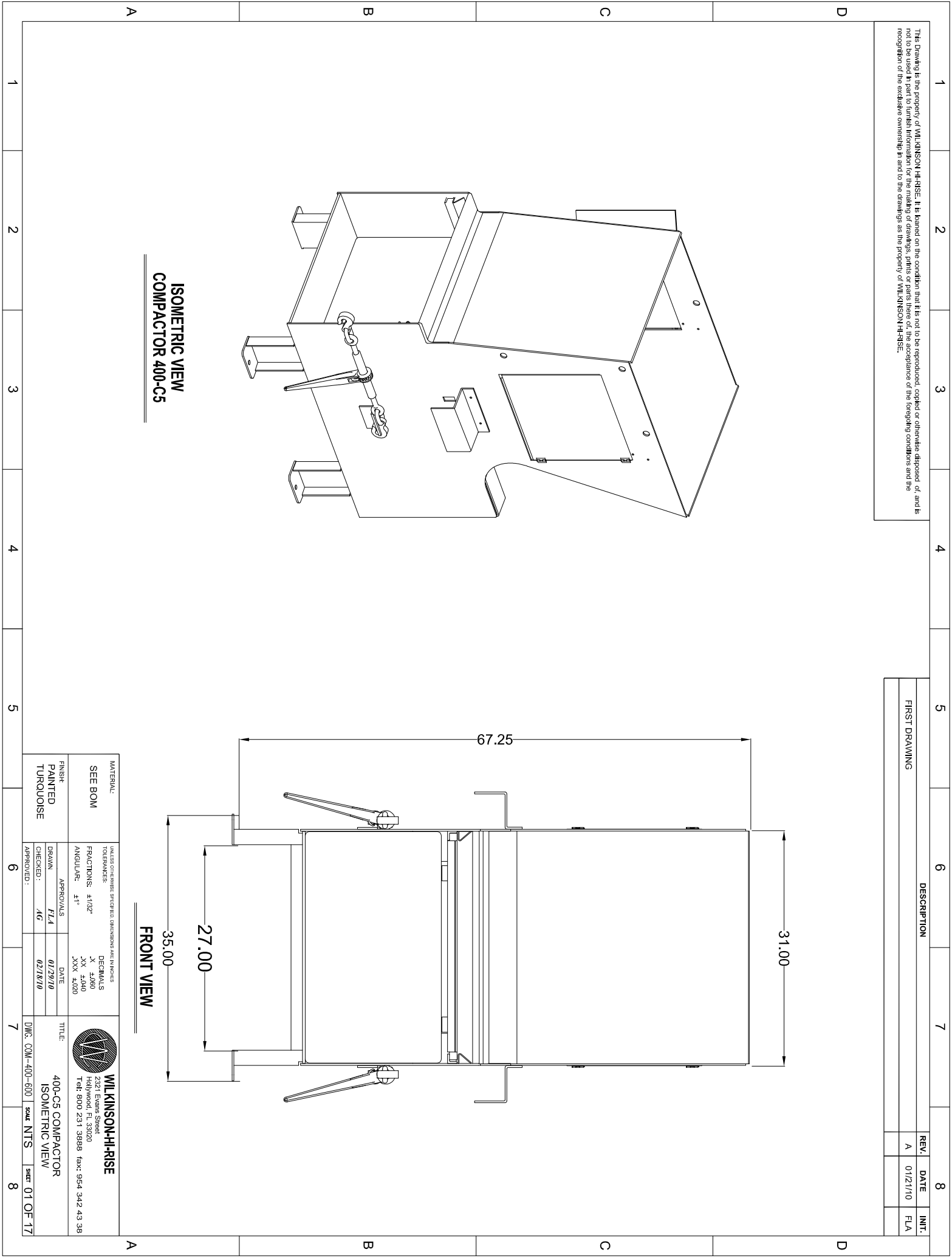


**ISOMETRIC VIEW
COMPACTOR 400-C5**

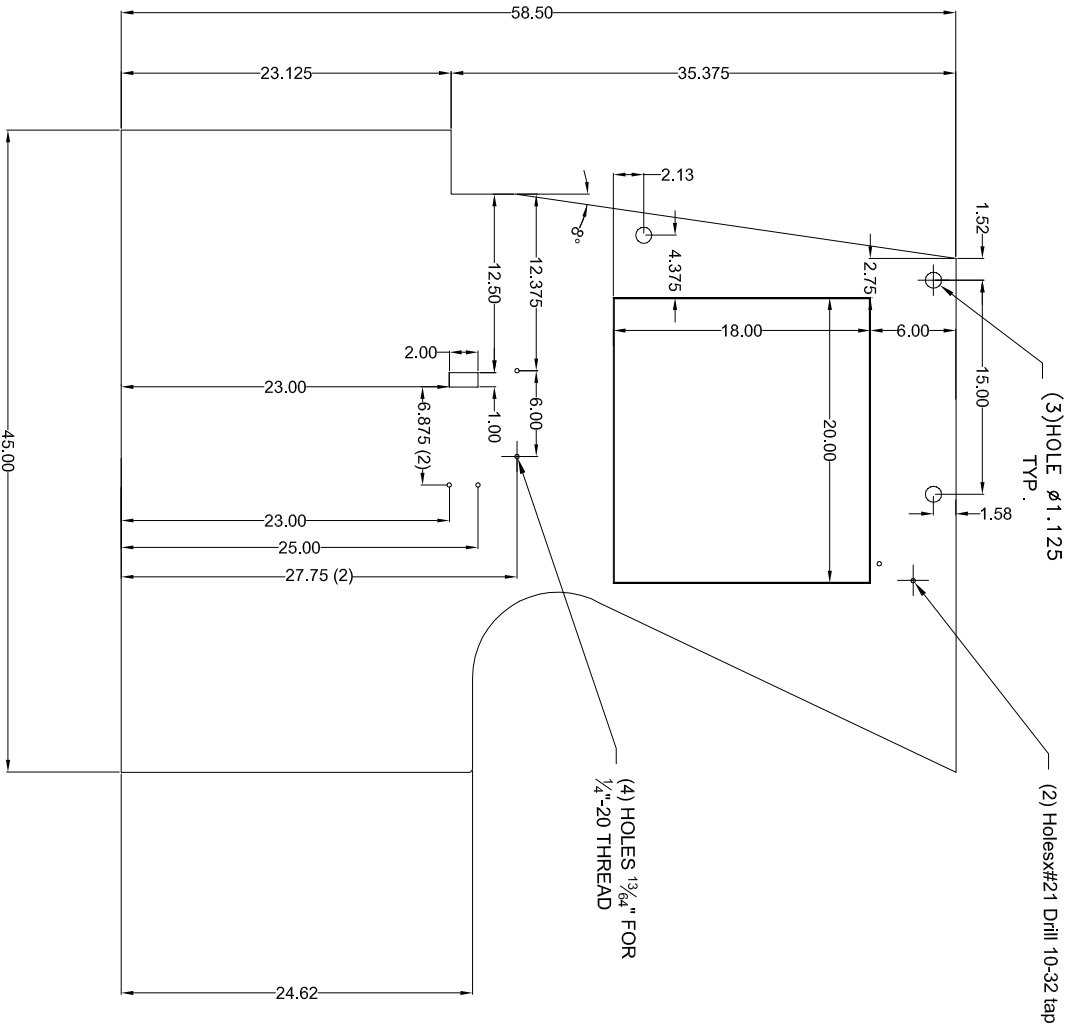


FRONT VIEW

MATERIAL: SEE BOM		UNLESS OTHERWISE SPECIFIED, DIMENSIONS ARE IN INCHES	
TOLERANCES		DECIMALS	
FRACTIONS: ±1/32"		.X ±.000	
ANGULAR: ±1°		.XX ±.040	
		.XXX ±.020	
FINISH: PAINTED TURQUOISE	APPROVALS	DATE	TITLE:
	FLA	02/29/10	400-C5 COMPACTOR ISOMETRIC VIEW
	AG	02/18/10	
	APPROVED:		DWG: COM-400-600
			SCALE: NTS
			SHEET: 01 OF 17



This Drawing is the property of WILLKINSON-H-RISE. It is loaned on the condition that it is not to be reproduced, copied or otherwise disposed of and is not to be used in part to furnish information for the making of drawings, prints or parts there of, the acceptance of the foregoing conditions and the recognition of the exclusive ownership in and to the drawings as the property of WILLKINSON-H-RISE.



COMPACTOR SIDE

QTY: 2
 (1) AS SHOWN
 (1) OPP. HAND

DESCRIPTION	REV.	DATE	INIT.
FIRST DRAWING	A	01/21/10	FLA
1. ALL DIMENSION FORMAT WERE CHANGE AND ADDED DIMENSIONS	B	3/31/10	AAM

MATERIAL: 1/4" H.R. PLATE	UNLESS OTHERWISE SPECIFIED DIMENSIONS ARE IN INCHES	DECIMALS .X ±.000 .XX ±.000 .XXX ±.020	TITLE: 400-CS COMPACTOR SIDE RH/LH
FINISH: SEE NEXT ASSY	TOLERANCES FRACTIONS: ±1/8" ANGULAR: ±1°	APPROVALS AAM	DATE 3/31/10
	DRAWN: CHECKED: APPROVED:		DWG. COM-400-601 SCALE: NTS SHEET 2 OF 17



WILLKINSON-H-RISE
 2321 Esplanade Street
 Hollywood, FL 33020
 Tel: 800 231 3888 fax: 954 342 43 38