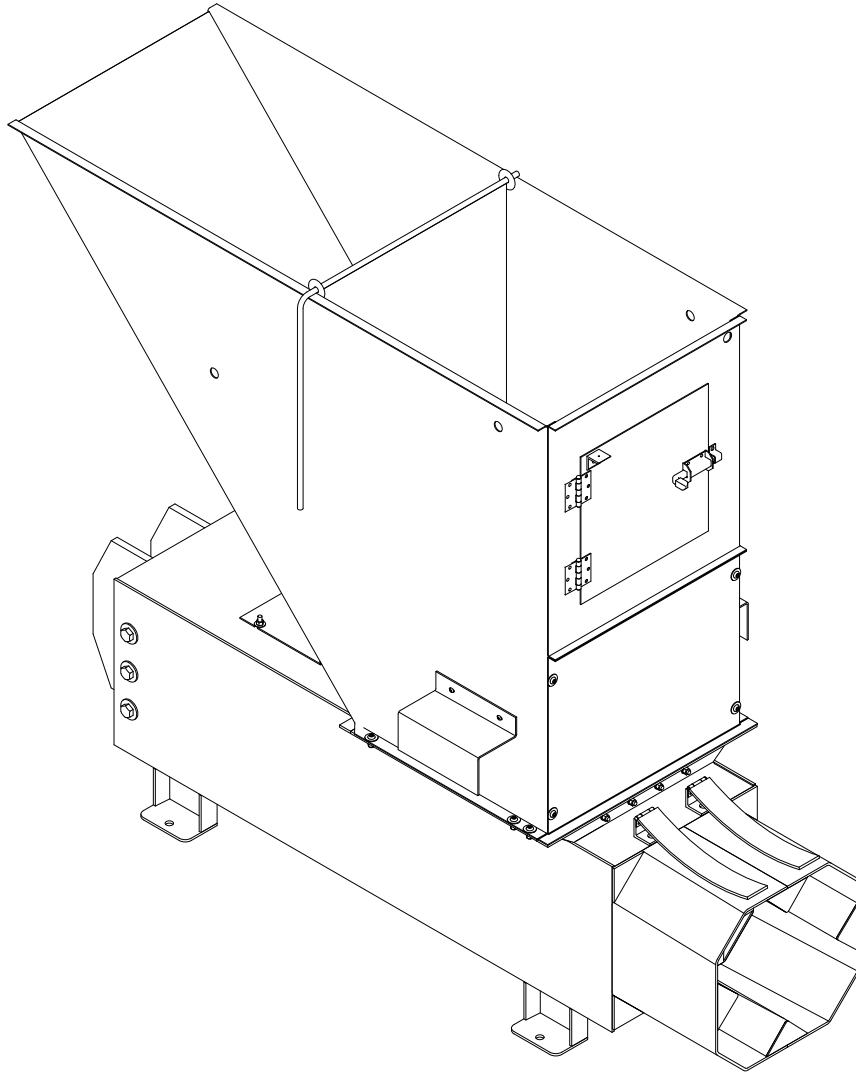
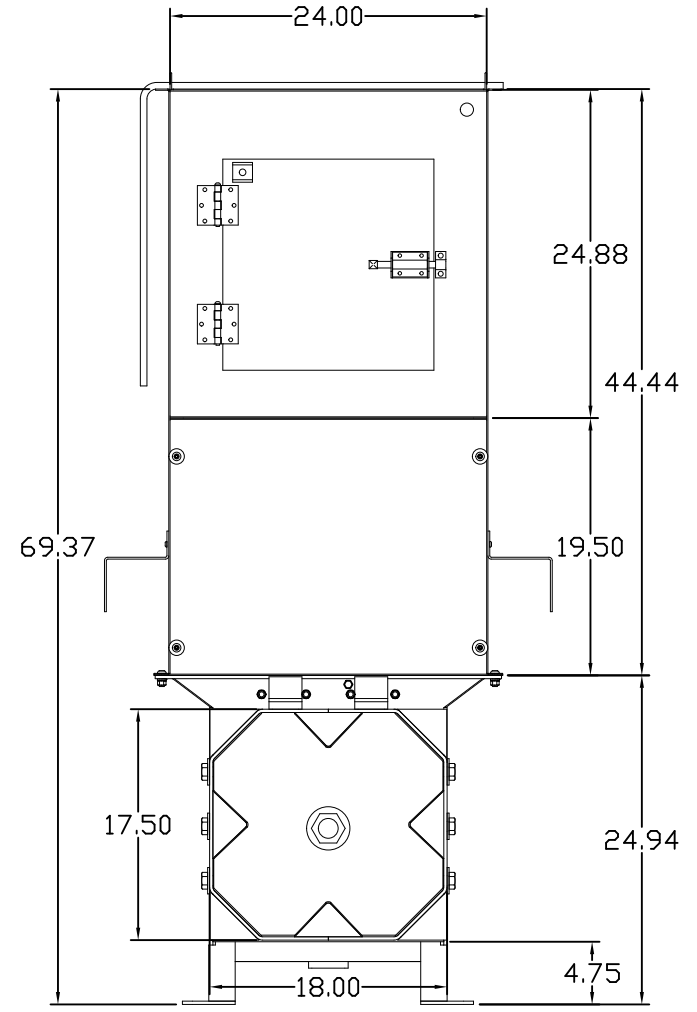


This Drawing is the property of WILKINSON HI-RISE. It is loaned on the condition that it is not to be reproduced, copied or otherwise disposed of, and is not to be used in part to furnish information for the making of drawings, prints or parts thereof. The acceptance of this drawing is an acceptance of the foregoing conditions and the recognition of the exclusive ownership in and to the drawings as the property of WILKINSON HI-RISE.


DESCRIPTION	REV.	DATE	INIT.
FIRST DRAWING	A	7/01/10	FLA



**ISOMETRIC VIEW  
COMPACTOR 45-K**

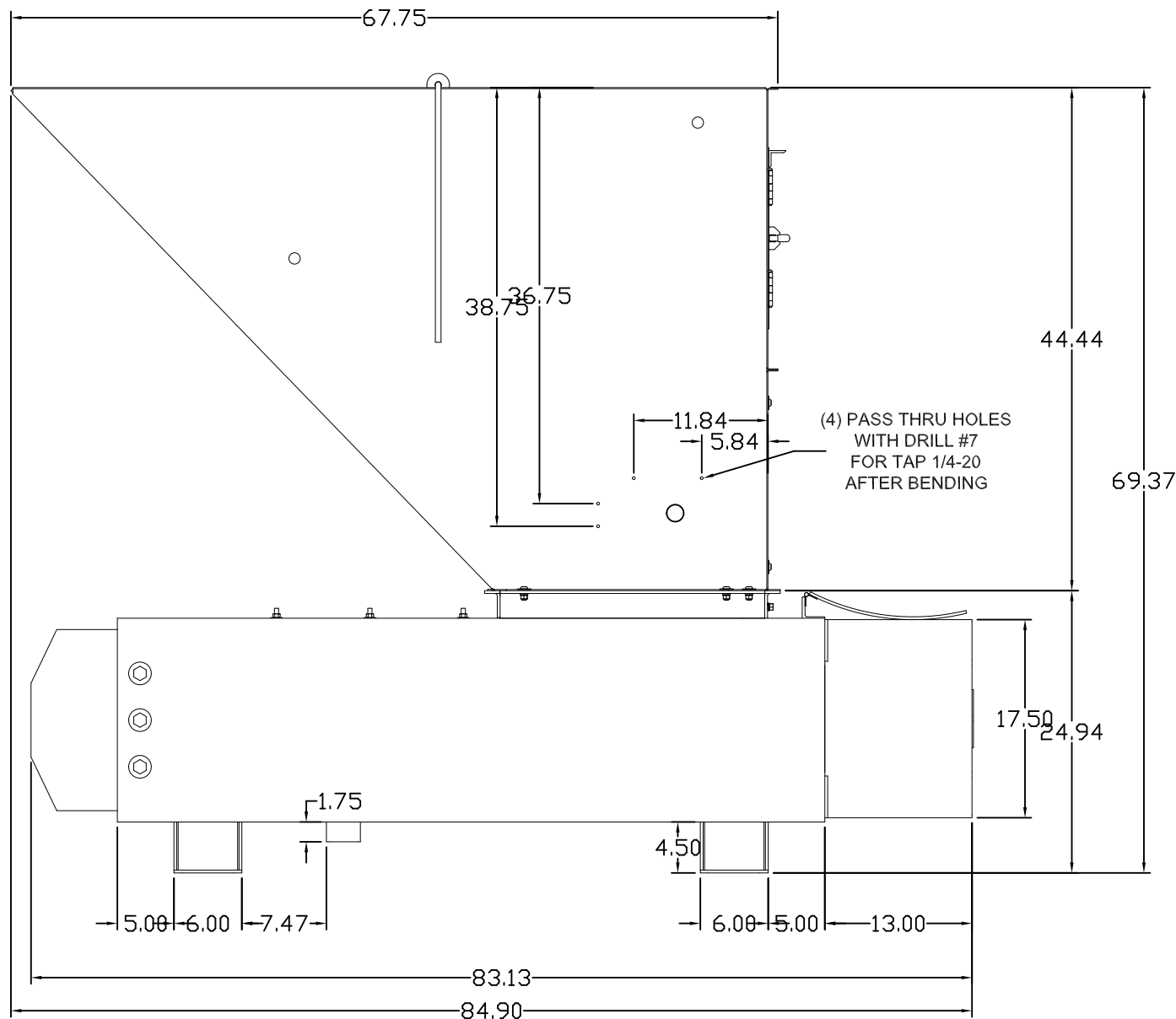


**FRONT VIEW**


MATERIAL: SEE BILL OF MATERIALS	UNLESS OTHERWISE SPECIFIED, DIMENSIONS ARE IN INCHES		 <b>WILKINSON-HI-RISE</b> 2321 Evans Street Hollywood, FL 33020 Tel: 800 231 3888 Fax:
	TOLERANCES:	DECIMALS	
FINISH: SEE NEXT ASSY	FRACTIONS: 1/32"	.X ±.060	TITLE: <b>45 K COMPACTOR FRONT VIEW</b>
	ANGULAR: ±1°	.XX ±.040	
		.XXX ±.020	
	APPROVALS	DATE	DWG. COM-45K-601 SCALE NTS SHEET 1 OF 19
	DRAWN FLA	07/01/10	
	CHECKED		
	APPROVED		

This Drawing is the property of WILKINSON HI-RISE. It is loaned on the condition that it is not to be reproduced, copied or otherwise disposed of, and is not to be used in part to furnish information for the making of drawings, prints or parts thereof. The acceptance of this drawing is an acceptance of the foregoing conditions and the recognition of the exclusive ownership in and to the drawings as the property of WILKINSON HI-RISE.

DESCRIPTION	REV.	DATE	INIT.
FIRST DRAWING	A	7/01/10	FLA



SIDE VIEW

MATERIAL: SEE BILL OF MATERIALS	UNLESS OTHERWISE SPECIFIED, DIMENSIONS ARE IN INCHES		 WILKINSON-HI-RISE 2321 Evans Street Hollywood, FL 33020 Tel: 800 231 3888 Fax:
	TOLERANCES:	FRACTIONS: ±1/32"	
FINISH: SEE NEXT ASSY	APPROVALS	DATE	TITLE: 45 K COMPACTOR SIDE VIEW
	DRAWN CHECKED APPROVED	FLA  07/01/10	DWG. COM-45K-602 SCALE NTS SHEET 2 OF 19