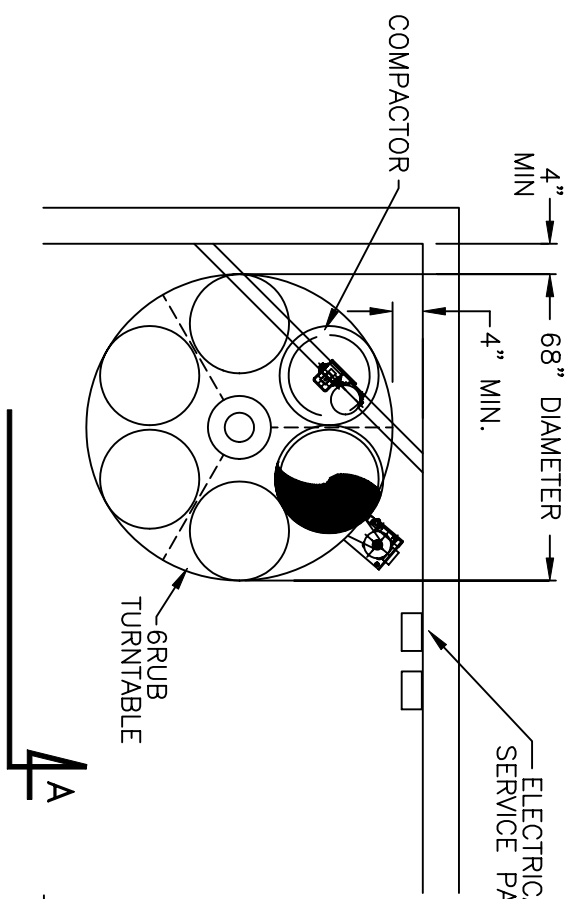
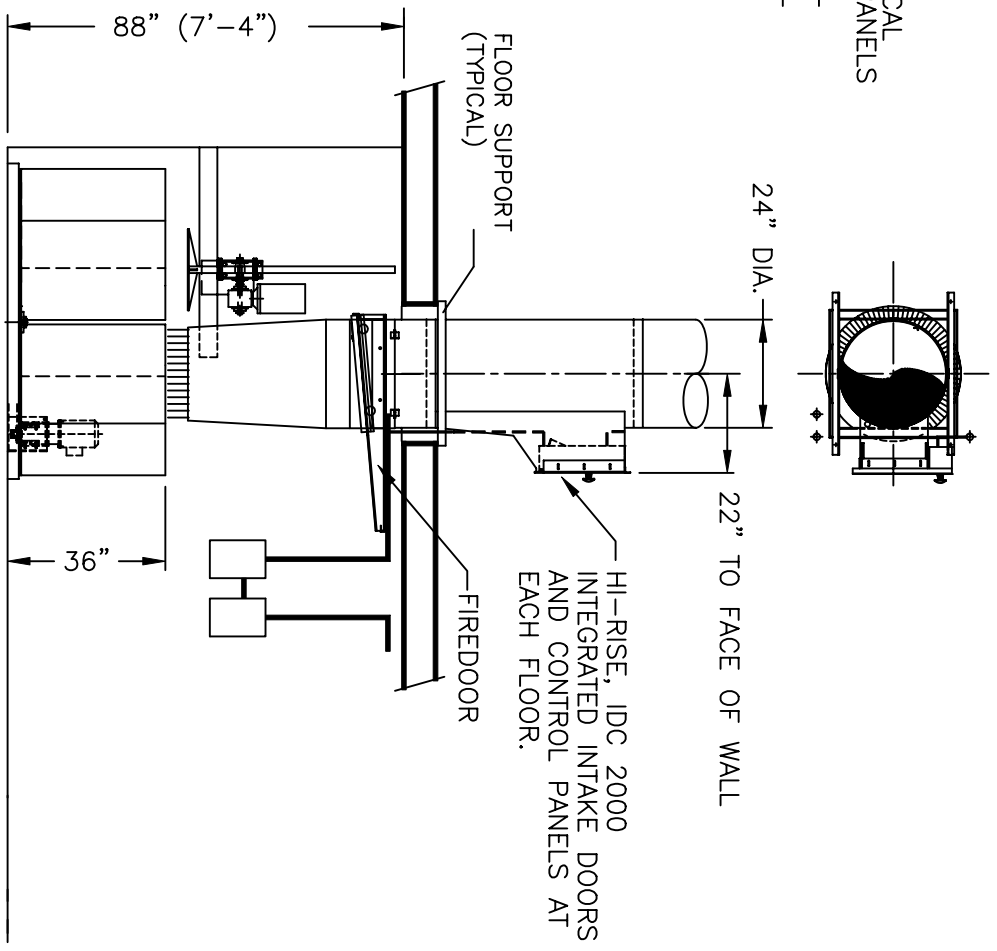




WILKINSON-H-RISE, LLC.
 WILKINSON CHUTES •
 4488 ALLEN ROAD
 STOW, OHIO 44224



PLAN VIEW



VIEW - A

THIS DRAWING IS THE PROPERTY OF WILKINSON CHUTES. IT IS LOANED ON THE CONDITION THAT IT IS NOT TO BE REPRODUCED, COPIED OR OTHERWISE DISPOSED OF, AND IS NOT TO BE USED IN PART TO FURNISH INFORMATION FOR THE MAKING OF DRAWINGS, PRINTS, OR PARTS THEREOF. THE ACCEPTANCE OF THIS DRAWING IS AN ACCEPTANCE OF THE FOREGOING CONDITIONS AND THE RECOGNITION OF THE EXCLUSIVE OWNERSHIP IN AND TO THE DRAWINGS AS THE PROPERTY OF WILKINSON CO., INC.

DESCRIPTION	REV.	DATE	INIT.	MODEL 6RUB TURNTABLE WITH COMPACTOR
				TITLE: WITH COMPACTOR
				JOB #
				CUSTOMER:
DWG. SIZE	A	DWG. NAME	SCALE: NTS	SHEET: 1 OF 1