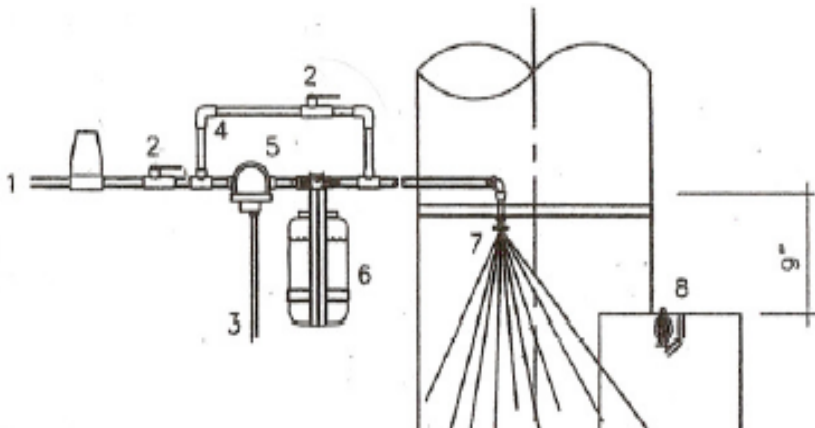




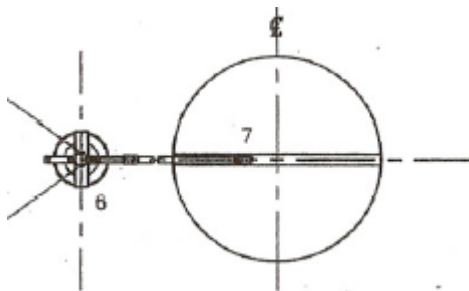
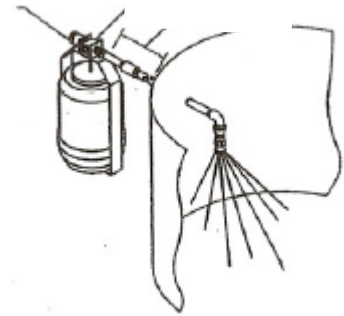
WILKINSON HI-RISE DISINFECTING & SANITIZING UNIT

1. 3/4" Domestic Hot water Inlet with Vacuum Breaker **(BY OTHERS)**
2. 1/2" Turn Gate Valve (Shutoff & By-Pass) **(BY OTHERS)**
3. 1/2" Conduit to Solenoid Valve (Above Highest Intake) From Trash Room **(BY OTHERS)**
4. Miscellaneous process piping **(BY OTHERS)**
5. 24VDC or 220V / 50Hz Solenoid Valve (Optional - not needed for manual operation) **(BY OTHERS)**
6. D&S Unit (Wilkinson San-Master 001): 1 US Gallon Container, Mounting bracket, Proportioning Valve
7. Flushing Head at highest intake
8. Fire Sprinkler Head at Highest Intake

**PLUMBING SCHEMATIC @
DISINFECTING &
SANITIZING UNIT**



**ISOMETRIC @
DISINFECTING &
SANITIZING UNIT**



Lever ON position for disinfecting solution mixed into water.

Plumber to provide valve hot water connection & vacuum breaker on water inlet.

Lever OFF position for clear water.

